

novax

PUMPS & MOTORS



BATH TUB PUMPS | SWIMMING POOL PUMPS



APPLICATIONS

Recycling and filtering of water for medium and commercial swimming pools.

MATERIALS

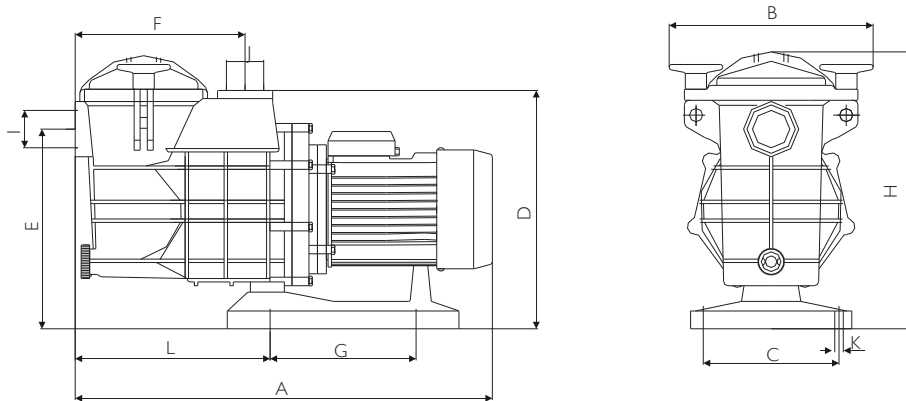
- Pump body, pump foot and diffuser in glass loaded techno polymer
- Impeller and seal mounting in techno polymer
- Motor shaft in stainless steel AISI 420
- Mechanical seal in graphite and Ceramic
- Motor housing in aluminum L-2521

MOTOR

- Asynchronous, two poles
- IP 55 protection
- Class F insulation
- Continuous operation
- Single phase version built-in thermal protection

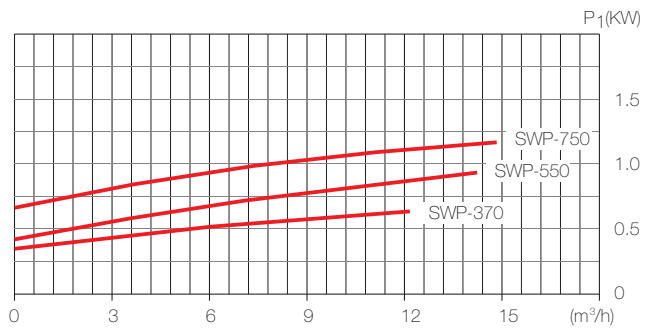
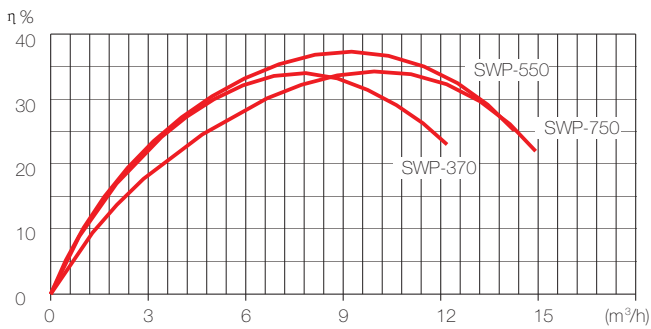
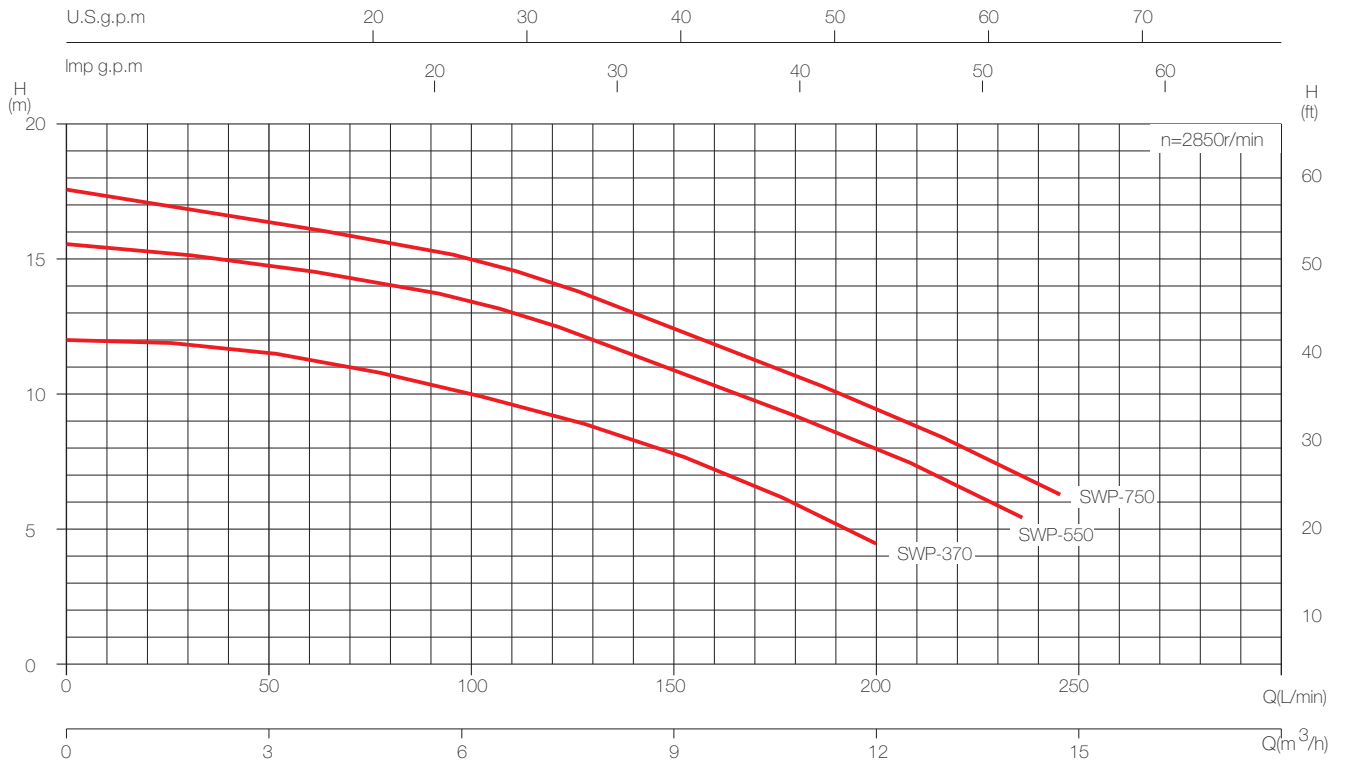
SWP

Quiet running single-stage centrifugal pumps, complete with prefilter



DIMENSION

Model	A	B	C	D	E	F	G	H	L	I	J	K	Kg
SWP-370	480	230	160	280	220	200	172	132	215	Ø50	Ø50	4- Ø10	8.5
SWP-550	480	230	160	280	220	200	172	132	215	Ø50	Ø50	4- Ø10	9.5
SWP-750	500	230	160	280	220	200	172	132	215	Ø50	Ø50	4- Ø10	10.5



TECHNICAL DATA

Model	HP	KW	V		A		P2		Q	L/min							
			1~	3~	1~	3~	1~	3~		m³/h							
										50HZ		220	380	0	67	100	133
SWP-370	0.5	0.37	220	380	3.1	1.2	0.68	0.65	H(m)	12	11	10	8.5	7	4.5		
SWP-550	0.75	0.55	220	380	4.2	1.6	0.95	0.91		15.5	14.5	13.5	12	10	8	5.5	
SWP-750	1	0.75	200	380	5.3	2	1.15	1.1		17.5	16	15	13	11.5	9.5	7	



APPLICATIONS

Recycling and filtering of water for medium and commercial swimming pools

MATERIALS

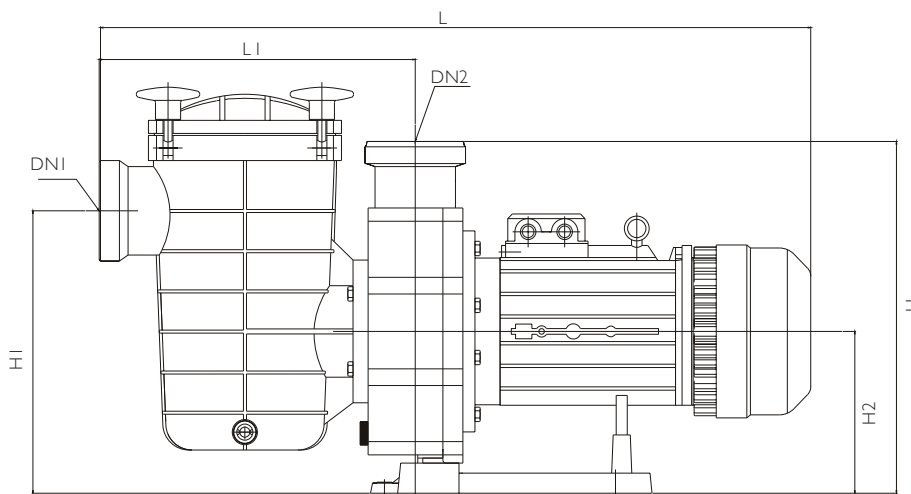
- Pump body, pump foot and diffuser in glass loaded Techno polymer
- Impeller and seal mounting in Techno polymer
- Motor shaft in stainless steel AISI 420
- Mechanical seal in sic-sic
- Motor housing in aluminum L-2521

MOTOR

- Asynchronous, two poles
- IP 55 protection
- Class F insulation
- Continuous operation

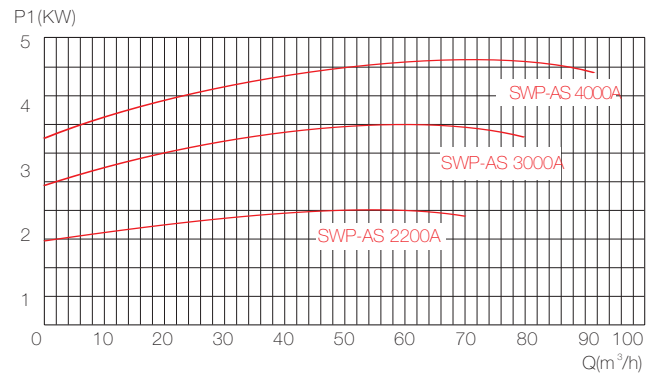
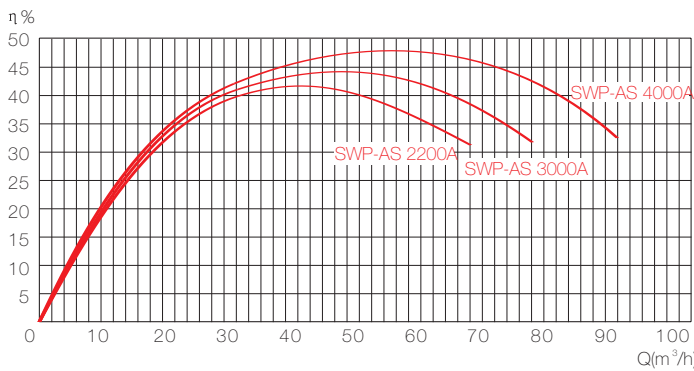
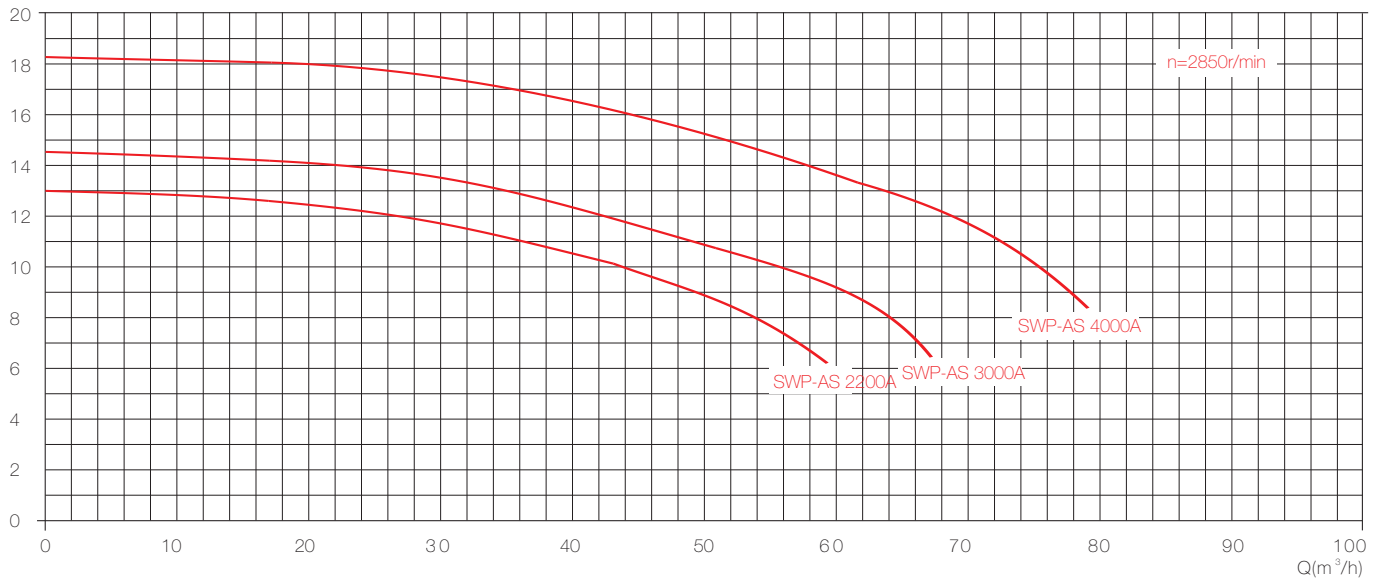
SWP-AS

Quiet running single-stage centrifugal pumps, complete with prefilter.



DIMENSION

	L	LI	H	HI	H2	DNI	DN2
SWP-AS-2200A	653	310	319	286	156	φ 75	φ 75
SWP-AS-3000A	683	310	319	286	156		
SWP-AS-4000A	718	310	319	286	156		



TECHNICAL DATA

Model	HP	KW	V		A		PI(KW)	Q	L/min	Q (m³/h)							
			50HZ	50HZ	220V	380V				1~/3~	0	333.3	500	666.7	833.3	1000	1166.7
SWP-AS 2200A	3	2.2	220	380	15	4.9	2.8	H(m)	13	12.6	11.8	10.6	9	6.2			
SWP-AS 3000A	4	3		380		6.4	3.6		14.5	14.2	13.5	12.6	11	9.5	6.5		
SWP-AS 4000A	5.5	4		380		8.3	4.7		18.2	17.8	11	16.3	16	13.8	12.2	8.4	



APPLICATIONS

Recycling and filtering of water for medium and commercial swimming pools.

MATERIALS

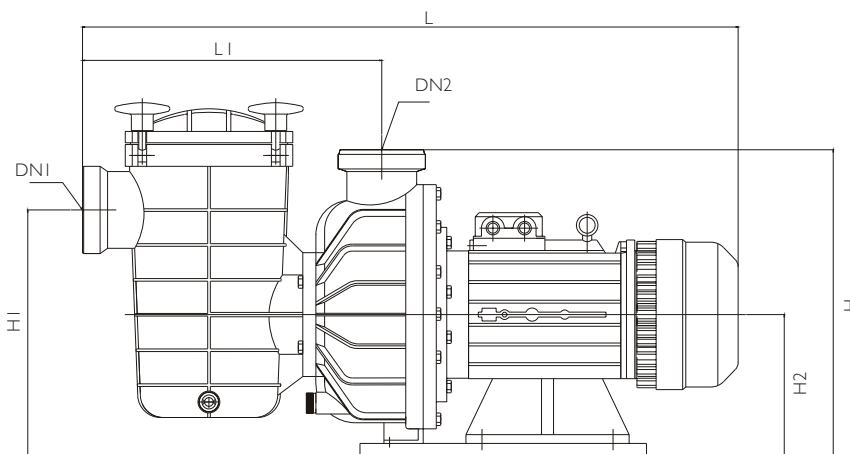
- Prefilter, pump body in Techno polymer
- Seal mounting, diffuser and Impellor in Techno polymer
- Motor shaft in stainless steel AISI304
- Mechanical seal in graphite and Ceramic
- Motor housing in aluminum L-2521

MOTOR

- Asynchronous, two poles
- IP 55 protection
- Class F insulation
- Continuous operation

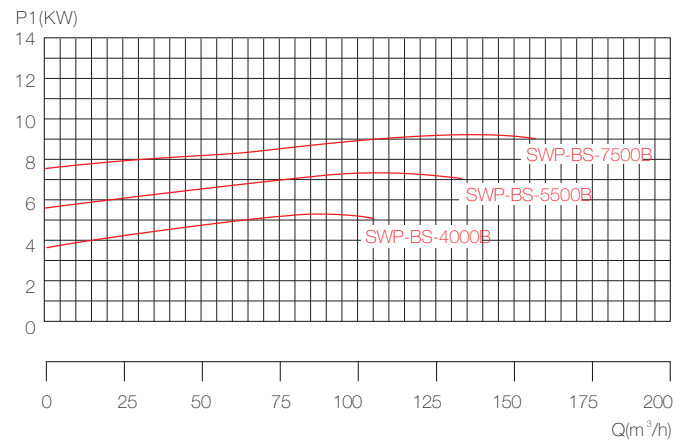
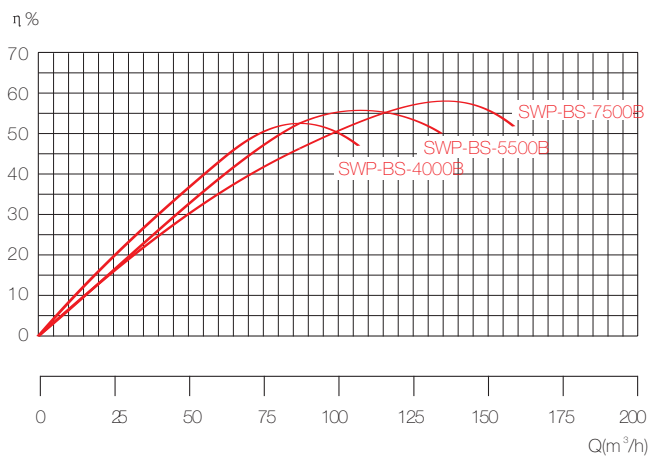
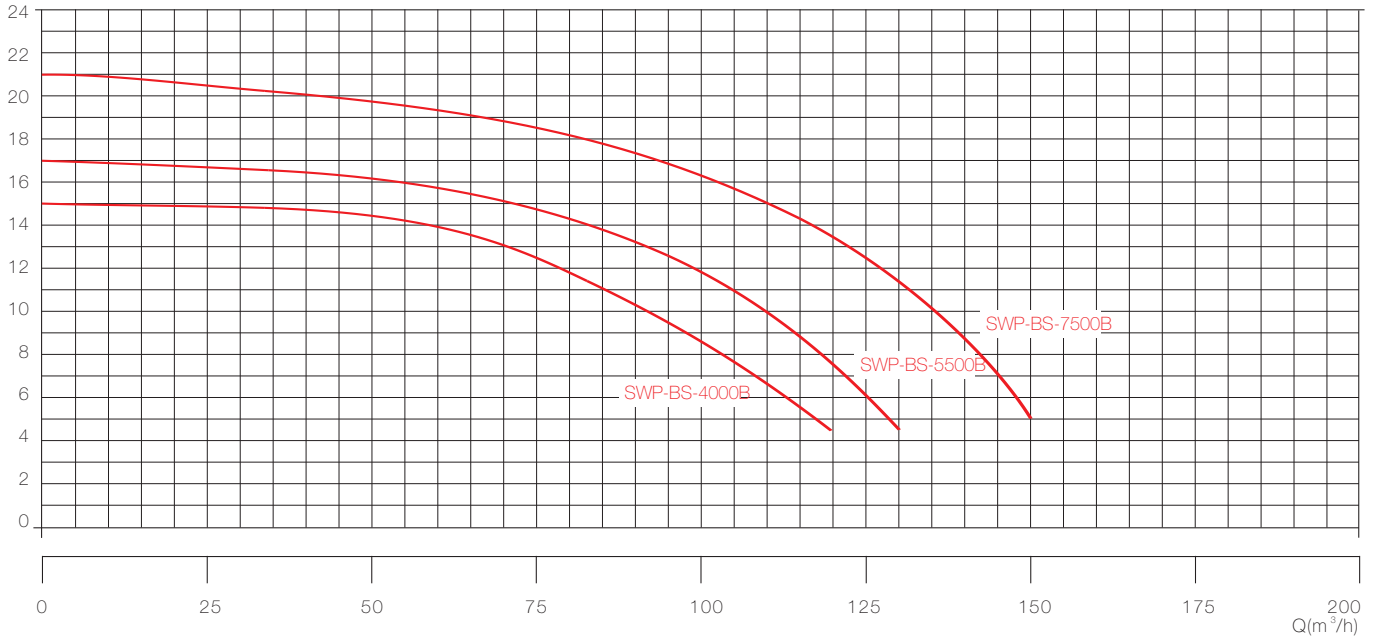
SWP-BS

Quiet running single-stage centrifugal pumps, complete with prefilter.



DIMENSION

	L	LI	H	H1	H2	DN1	DN2
SWP-BS-4000B	841	420	418	266	166	Φ110	Φ110
SWP-BS-5500B	841	420	418	266	166		
SWP-BS-7500B	916	420	418	266	166		



TECHNICAL DATA

Model	HP	KW	V	A	P1(KW)	Q	L/min m³/h	H(m)								
			50HZ	380V				0	833.3	1166.7	1500	1666	2000	2166	2333	2500
SWP-BS-4000B	5.5	4	380	8.3	4.75	H(m)	0	50	70	90	100	120	130	140	150	
SWP-BS-5500B	7.5	5.5	380	11.1	6.42		15	14.5	13	10.2	8.6	4.8				
SWP-BS-7500B	10	7.5	380	14.9	8.62		17	16.2	14	13.2	11.8	7.6	4.5			
							21	19.6	18.8	17.4	16.3	13.5	11.4	8.8	5	



APPLICATIONS

Recycling and filtering water of great pools.

MATERIALS

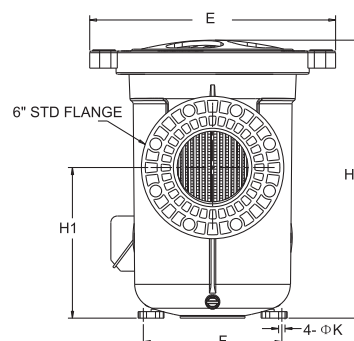
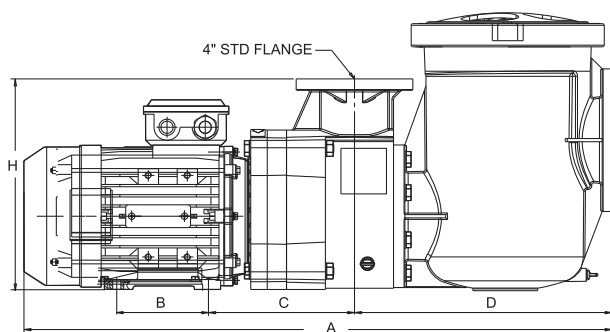
- Pump body, and prefilter in glass loaded Techno polymer
- Impeller in glass loaded Techno polymer
- Shaft in stainless steel AISI 304
- Mechanical seal in graphite/ceramic

MOTOR

- Closed, with external ventilation
- IP 55 protection
- Class F insulation
- Duty: Continuously rated

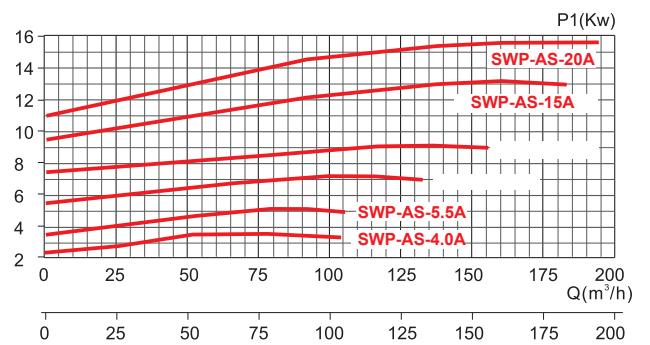
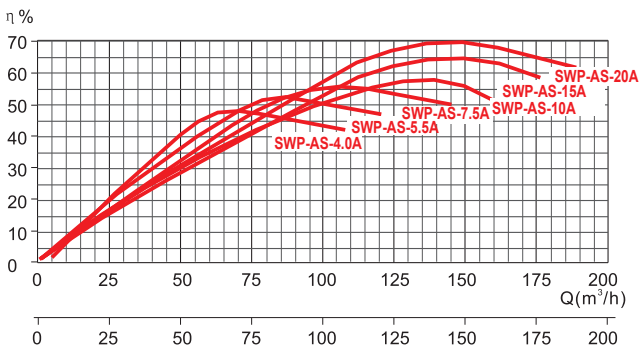
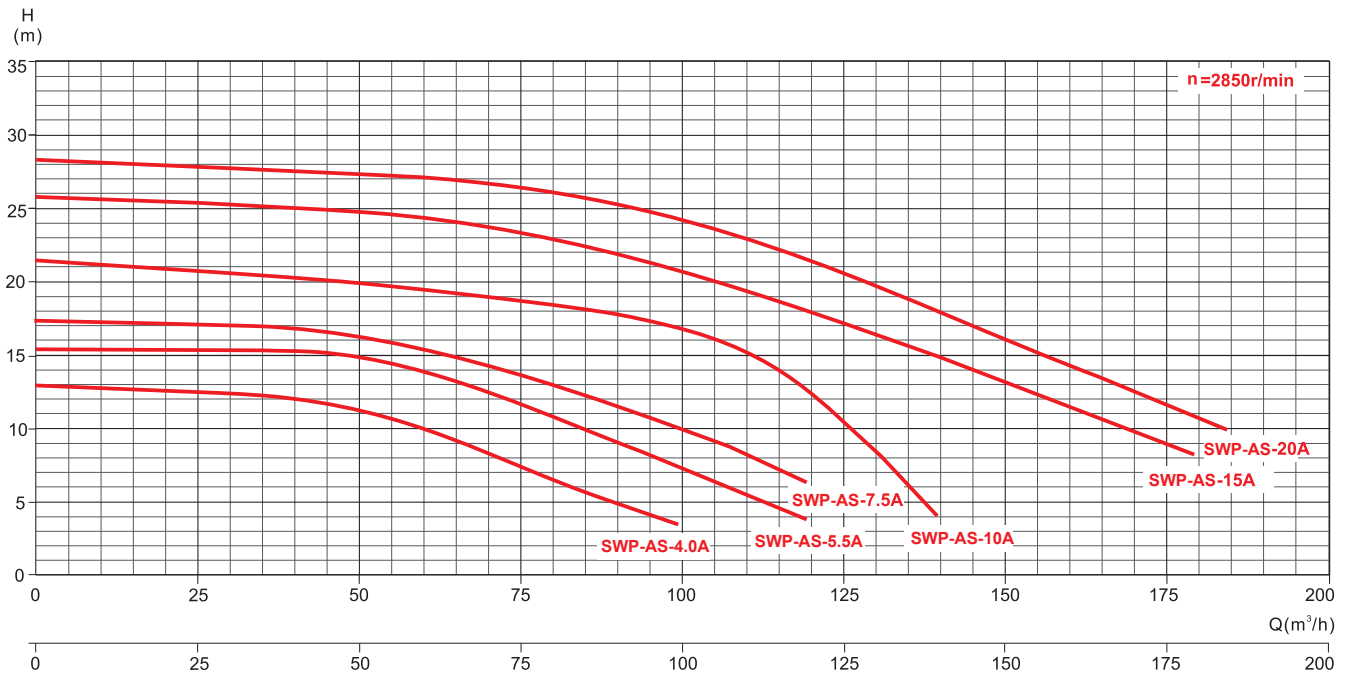
SWP-AS

SWP-A centrifugal pumps complete with prefilter, for filtering and purifying equipment.



DIMENSIONS

Model	A	B	C	D	E	F	H	H1	H2	K
SWP-AS-4.0A	1070	140	279	508	483	190	415	295	546	12
SWP-AS-5.5A	1070	140	279	508	483	190	415	295	546	12
SWP-AS-7.5A	1070	140	279	508	483	190	415	295	546	12
SWP-AS-10A	1145	178	298	508	483	216	415	295	546	12
SWP-AS-15A	1145	178	298	508	483	216	415	295	546	12
SWP-AS-20A	1175	178	298	508	483	216	415	295	546	12



TECHNICAL DATA

Model	HP	kW	V		PI (kW)	Q	L/min									
			3~	3~			0	833	1166	1500	1666	2000	2166	2333	3000	3100
SWP-AS-4.0A	4	3	220	380	6.4	3.63	0	50	70	90	100	120	130	140	180	186
SWP-AS-5.5A	5.5	4	220	380	8.3	4.75	13	11.4	7.5	5	3.3					
SWP-AS-7.5A	7.5	5.5	220	380	11.1	6.42	15.5	15.2	12.6	9	7.5	3.8				
SWP-AS-10A	10	7.5	220	380	14.9	8.62	17.3	16.4	14.4	11.5	10.4	6.2	5			
SWP-AS-15A	15	11	220	380	21	12.44	21.5	21	19	18	17	12.5	9	5		
SWP-AS-20A	20	15	220	380	28	16.85	26	25	24.5	23	22	18.9	16	15.1	8.3	
							28.5	27.5	27	25.6	24.3	22	20	17.5	11.2	10



APPLICATIONS

Recycling and filtering of water for medium and commercial swimming pools.

MATERIALS

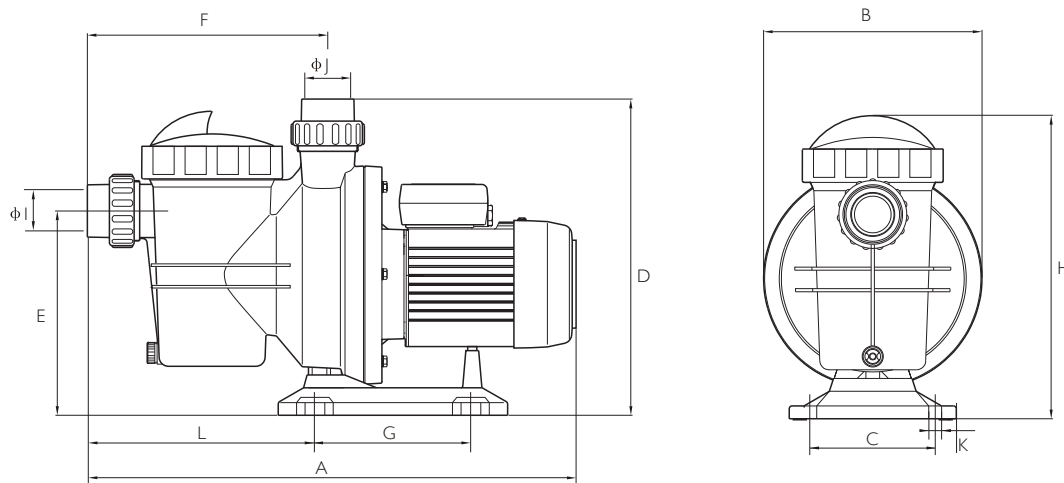
- Pump body, pump foot and diffuser in glass loaded techno polymer
- Impeller and seal mounting in Techno polymer
- Motor shaft in stainless steel AISI 420
- Mechanical seal in sic-sic
- Motor housing in aluminum L-2521

MOTOR

- Asynchronous, two poles
- IP 55 protection
- Class F insulation
- Continuous operation
- Single phase version built-in thermal protection

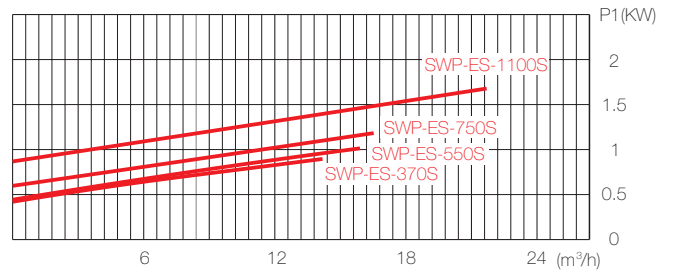
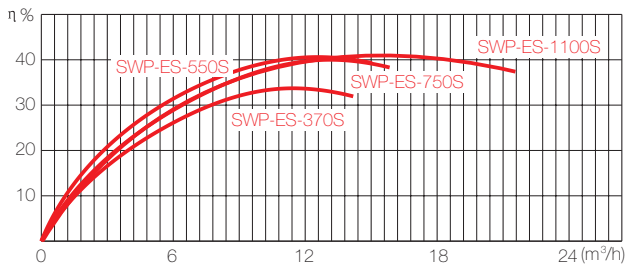
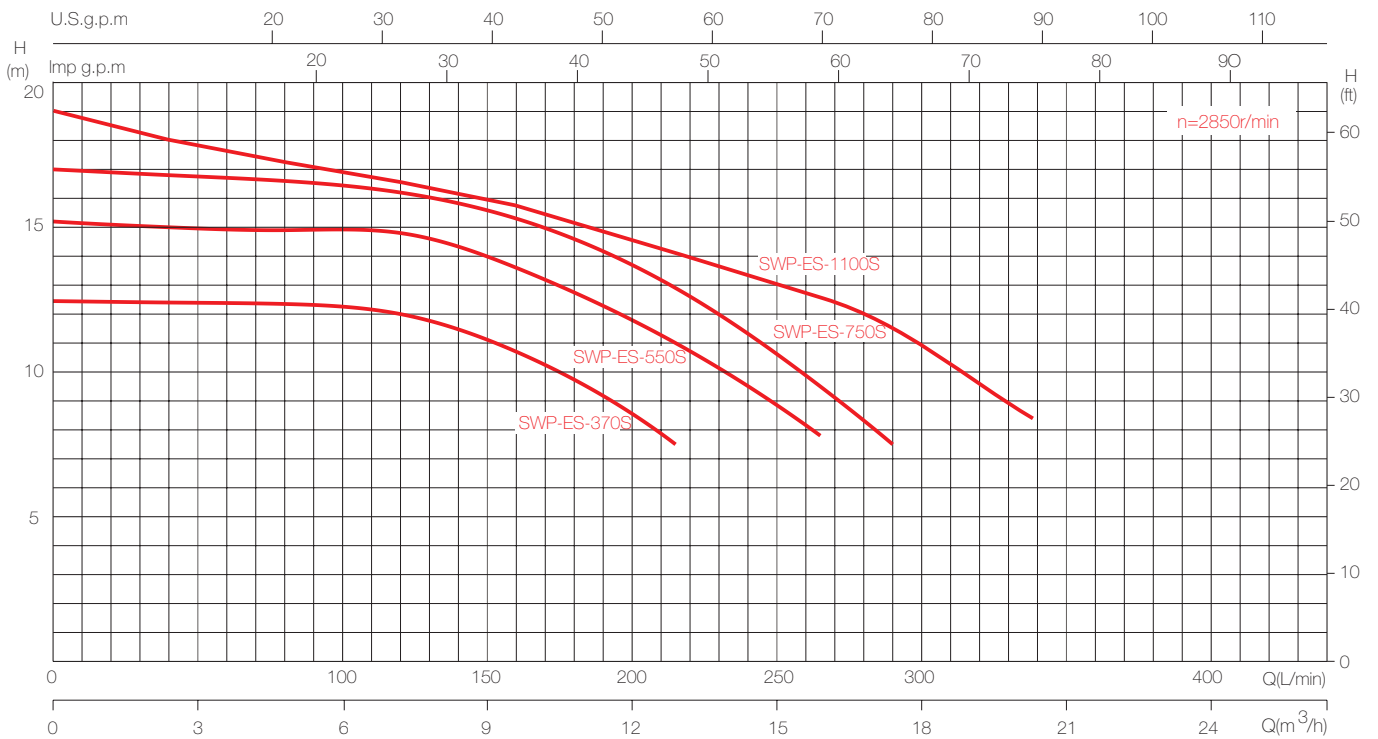
SWP-ES

Quiet running single-stage centrifugal pumps, complete with prefilter.



DIMENSION

	A	B	C	D	E	F	G	H	L	I	J	K	Kg
SWP-ES-370S	550	238	160	345	225	262	170	330	205	φ 50	φ 50	4- φ10	8.7
SWP-ES-550S	550	238	160	345	225	262	170	330	205	φ 50	φ 50	4- φ10	9.3
SWP-ES-750S	550	238	160	345	225	262	170	330	205	φ 50	φ 50	4- φ10	10.4
SWP-ES-1100S	570	238	160	345	225	262	170	330	205	φ 50	φ 50	4- φ10	11.9



TECHNICAL DATA

Model	HP	KW	V		A		P1 (KW)		Q	L/min										
			1~	3~	1~	3~	1~	3~		0	40	80	120	160	215	265	290	340		
			50HZ	50HZ	220	380	1~	3~		m / h	0	2.4	4.8	7.2	9.6	12.9	15.9	17.4	20.5	
SWP-ES-370S	0.5	0.37	220	380	3.1	1.2	0.68	0.65	H(m)	12.5	12.4	12.3	12.0	10.7	7.5					
SWP-ES-550S	0.75	0.55	220	380	4.2	1.6	0.95	0.91		15.2	15.0	14.9	14.8	13.6	11.0	7.8				
SWP-ES-750S	1	0.75	220	380	5.3	2.0	1.15	1.1		17.0	16.8	16.6	16.2	15.3	12.9	9.5	7.5			
SWP-ES-1100S	1.5	1.1	220	380	7.4	3.0	1.8	1.7		19.0	18	17.2	16.6	15.8	14	13	11	8.5		



APPLICATIONS

Recycling and filtering of water for medium and commercial swimming pools.

MATERIALS

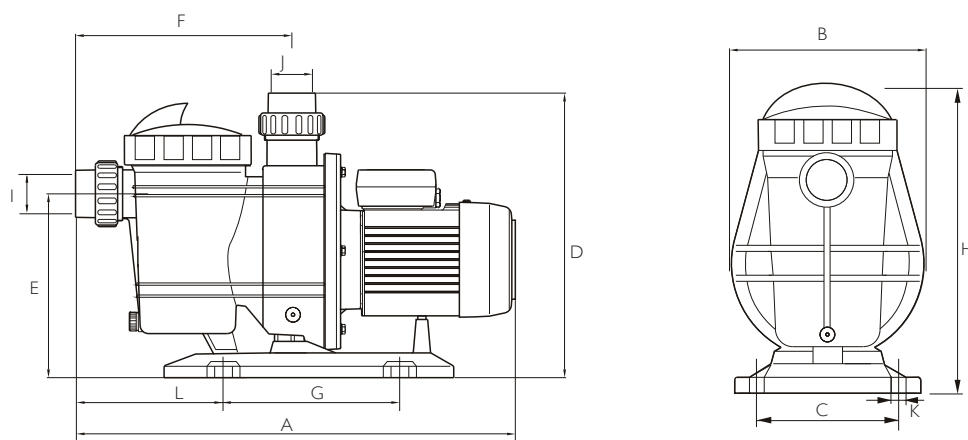
- Pump body, pump foot and diffuser in glass loaded Techno polymer
- Impeller and seal mounting in Techno polymer
- Motor shaft in stainless steel AISI 420
- Mechanical seal in sic-sic
- Motor housing in aluminum L-2521

MOTOR

- Asynchronous, two poles
- IP 55 protection
- Class F insulation
- Continuous operation
- Single phase version built-in thermal protection

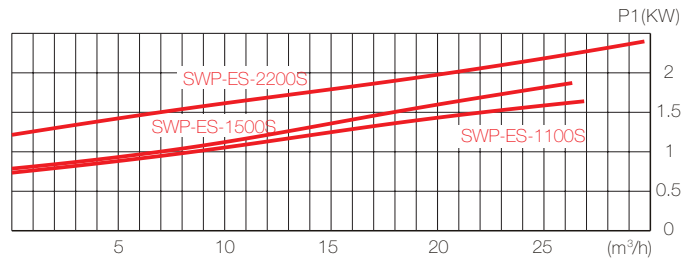
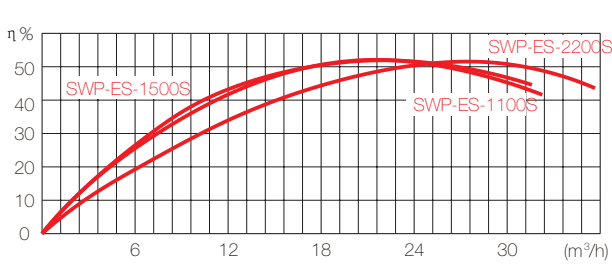
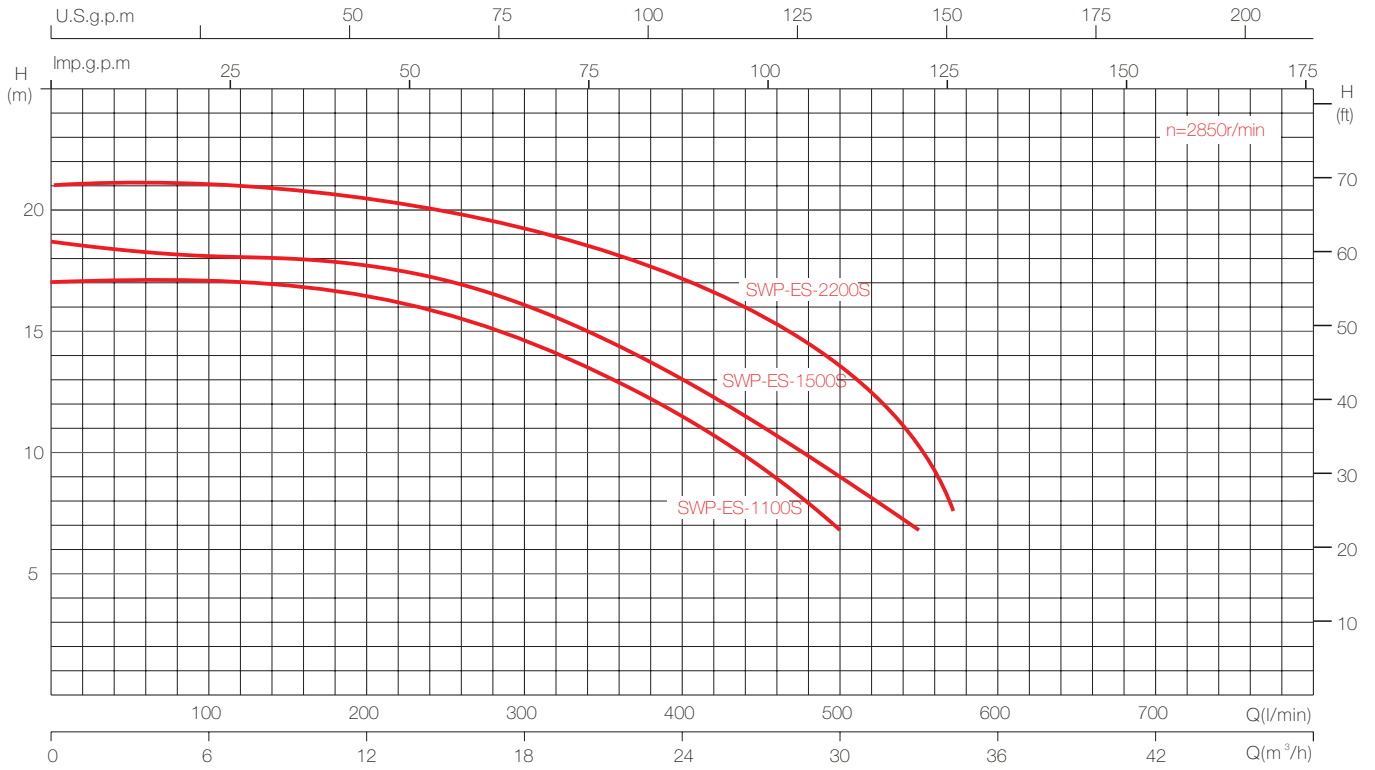
SWP-ES

Quiet running single-stage centrifugal pumps, complete with prefilter.



DIMENSION

	A	B	C	D	E	F	G	H	L	I	J	K	Kg
SWP-ES-1100S	655	270	230	450	295	335	200	440	270	φ 63	φ 63	4- φ10	16.6
SWP-ES-1500S	655	270	230	450	295	335	200	440	270	φ 63	φ 63	4- φ10	19
SWP-ES-2200S	655	270	230	450	295	335	200	440	270	φ 63	φ 63	4- φ10	18.3



TECHNICAL DATA

Model	HP	KW	V		A		PI (KW)		Q	L/min	m³/h	0	100	150	250	350	450	500	550
			1~	3~	1~	3~	1~	3~											
			50HZ	50HZ	220	380	1~	3~											
SWP-ES-1100S	1.5	1.1	220	380	7.9	3.0	1.9	1.9	H(m)	17	16.8	16.5	15.5	13.2	9.4	6.8			
SWP-ES-1500S	2	1.5	220	380	10	3.9	2.2	2.2		19	18.5	18.0	17.1	14.7	11	9	6.8		
SWP-ES-2200S	3	2.2	220	380	13.1	4.9	2.8	2.8		21.5	20.9	20.5	19.4	18	15.4	12.6	7.2		



NOVAX PUMPE SRL

Via Giovanni Zaniol,
188, Pieve di Soligo, Italy.
Tel: (+39) 043 881 143
Email: tony@novaxeuropa.com

KIM NOVAX INDUSTRIES PVT LTD

No. 27, 7th Cross,
4th Floor, Shastri Nagar,
Adayar, Chennai - 600 020,
Tamilnadu, India.
Tel: +91 9445307474
Email: sales@novaxpumps.com

PLANT

Plot No. 250A,
AMRL Hi Tech City SEZ,
Nanguneri, Tirunelveli Dist.
Tamilnadu, India.
Tel: +91 9789249548
Email: info@novaxpumps.com

www.novaxpumps.com