

## Submersible pumps

▮▮▮ Medium flow

 Sewage water

 Civil use

 Industrial use



### PERFORMANCE RANGE

- Flow rate up to **2200 l/min** (132 m<sup>3</sup>/h)
- Head up to **12.2 m**

### APPLICATION LIMITS

- **10 m** maximum immersion depth (with a sufficiently long power cable)
- Maximum liquid temperature **+40 °C**
- Passage of suspended solids up to **Ø 100 mm**
- Minimum immersion depth for continuous service: **550 mm**

### CONSTRUCTION AND SAFETY STANDARDS

- **10 m** long power cable

EN 60335-1  
IEC 60335-1  
CEI 61-150

EN 60034-1  
IEC 60034-1  
CEI 2-3



### INSTALLATION AND USE

The **VXC4** series of pumps, manufactured from heavy gauge robust cast iron, resistant to abrasion and long-lasting, are fitted with a VORTEX impeller and are therefore suitable for draining **dirty, sewage and reflux water, and water mixed with putrid mud**. They are suitable for installation in sewers, tunnels, excavations, canals, underground car parks, etc.

### PATENTS - TRADE MARKS - MODELS

- Registered EU Design n. 003863158-0003

### OPTIONS AVAILABLE ON REQUEST

- Pumps equipped with internal probes detecting the presence of water in the oil chamber
- Pumps with double cable for star/delta start
- Other voltages or 60 Hz frequency

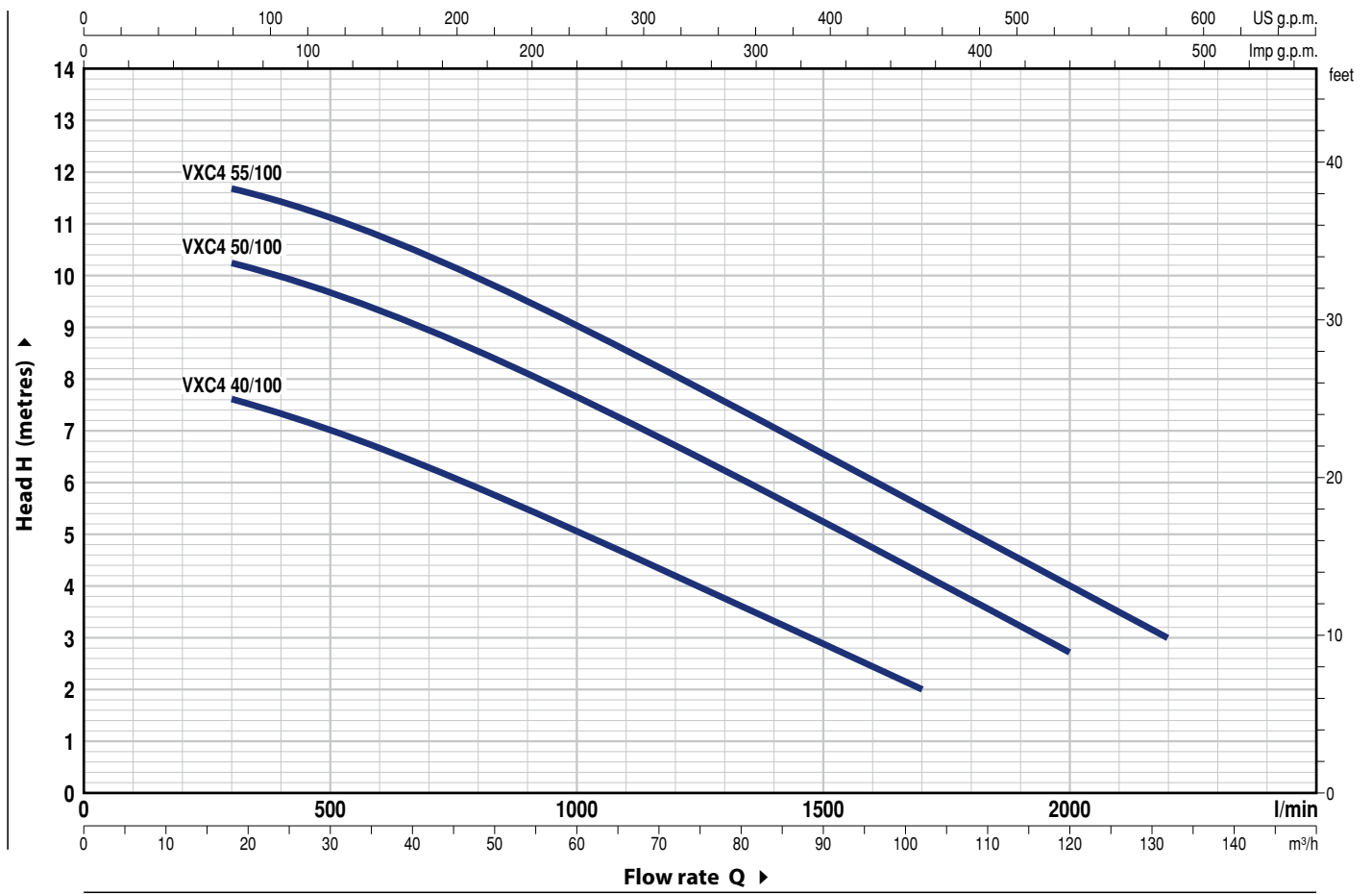
### CERTIFICATIONS

Company with management system certified DNV  
ISO 9001: QUALITY



**CHARACTERISTIC CURVES AND PERFORMANCE DATA**

**50 Hz n= 1450 min<sup>-1</sup>**



MODEL Three-phase	POWER (P <sub>2</sub> )		Q	0	18	30	45	60	75	90	102	120	132
	kW	HP		0	300	500	750	1000	1250	1500	1700	2000	2200
<b>VXC4 40/100</b>	3	4	H metres	8.3	7.6	7	6.1	5.1	4	2.9	2		
<b>VXC4 50/100</b>	3.7	5		10.8	10.2	9.6	8.7	7.6	6.4	5.2	4.2	2.7	
<b>VXC4 55/100</b>	4	5.5		12.2	11.7	11.1	10.2	9	7.8	6.5	5.5	4	3

Q = Flow rate H = Total manometric head

Tolerance of characteristic curves in compliance with EN ISO 9906 Grade 3B.

## POS. COMPONENT CONSTRUCTION CHARACTERISTICS

1	<b>PUMP BODY</b>	Cast iron with an Epoxy Electro Coating treatment
2	<b>BASE</b>	Cast iron with an Epoxy Electro Coating treatment
3	<b>IMPELLER</b>	VORTEX type in cast iron with an Epoxy Electro Coating treatment
4	<b>MOTOR CASING</b>	Cast iron with an Epoxy Electro Coating treatment
5	<b>MOTOR CASING PLATE</b>	Cast iron with an Epoxy Electro Coating treatment
6	<b>MOTOR SHAFT</b>	Stainless steel AISI 431

### 7 TWO MECHANICAL SEALS SEPARATED BY AN OIL CHAMBER

Seal Model	Shaft Diameter	Position	Materials		
			Stationary ring	Rotational ring	Elastomer
MG91-40D	Ø 40 mm	Motor side	Silicon carbide	Graphite	NBR
		Pump side	Silicon carbide	Silicon carbide	NBR

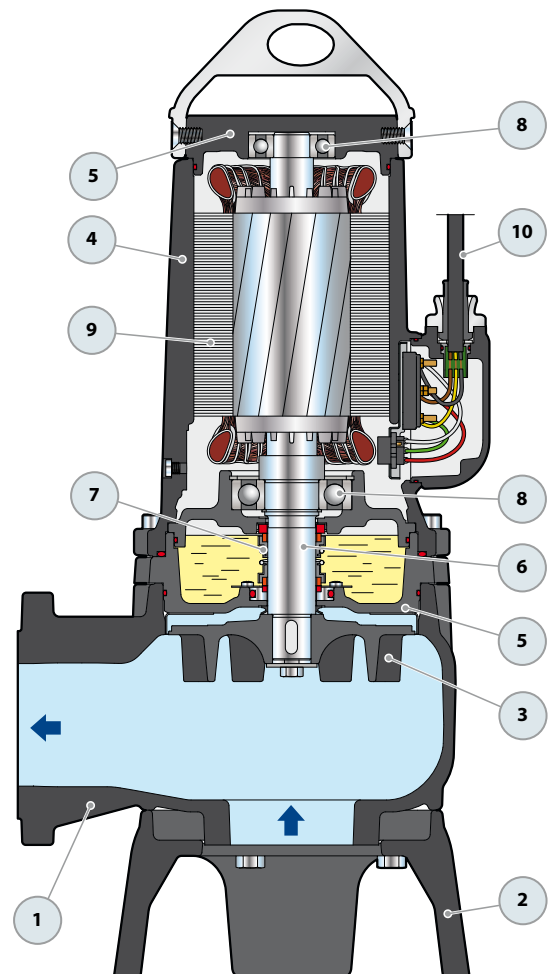
### 8 BEARINGS 6309 ZZ-C3 / 6306 ZZ-C3

### 9 ELECTRIC MOTOR

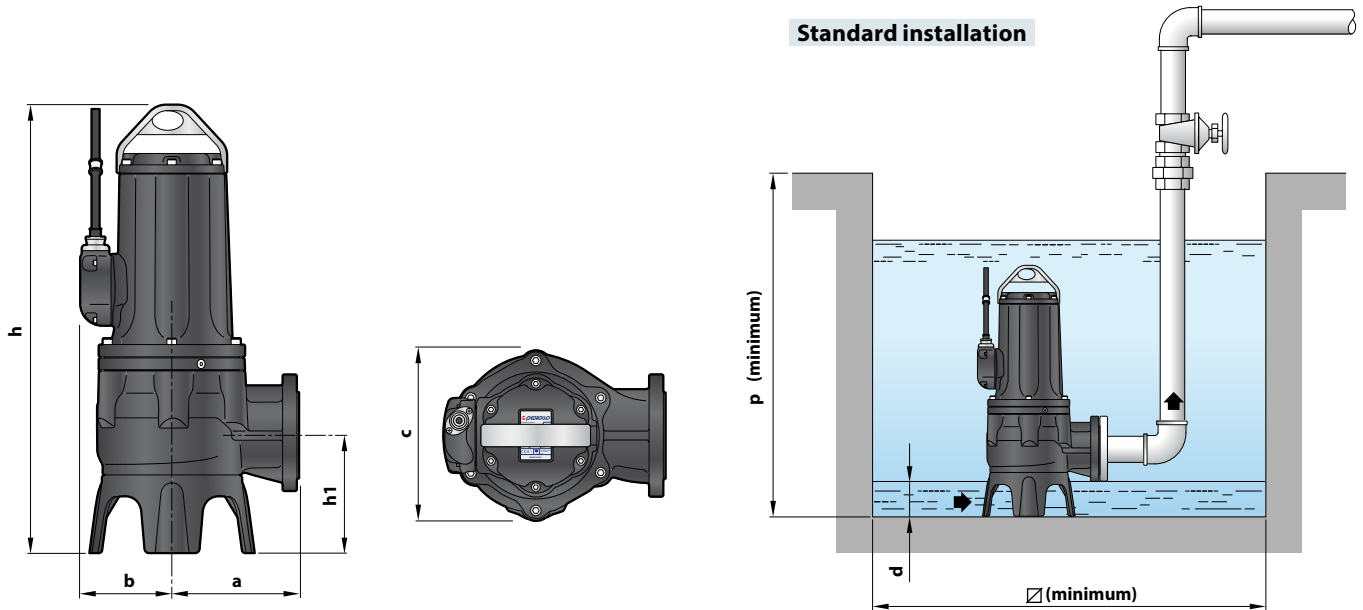
- three-phase 400 V - 50 Hz  
with thermal overload protector incorporated into the winding
- Insulation: class F
- Protection: IP X8

### 10 POWER CABLE

"H07 RN-F" type  
**Standard length 10 metres**

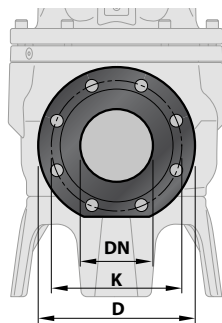


## DIMENSIONS AND WEIGHT



MODEL	Passage of solids	DIMENSIONS mm								kg
		a	b	c	h	h1	d	p	Ø	
Three-phase										3~
VXC4 40/100	Ø 100 mm	228	165	302	806	211	140	1000	1000	129.1
VXC4 50/100										129.0
VXC4 55/100										132.0

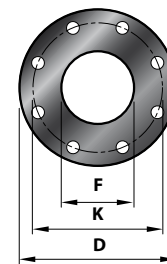
## FLANGED PORT



MODEL	FLANGE DN	K mm	D mm	HOLES	
				N°	Ø (mm)
Three-phase	100 (PN10)	180	220	8	18
VXC4 40/100					
VXC4 50/100					
VXC4 55/100					

## COUNTERFLANGE

(TO BE ORDERED SEPARATELY)



MODEL	FLANGE DN	F	K mm	D mm	HOLES	
					N°	Ø (mm)
Three-phase	100	4"	180	220	8	18
VXC4 40/100						
VXC4 50/100						
VXC4 55/100						

## ABSORPTION

MODEL	VOLTAGE
Three-phase	400 V
VXC4 40/100	5.5 A
VXC4 50/100	7.7 A
VXC4 55/100	9.0 A

## PALLETIZATION

MODEL	GROUPAGE
Three-phase	n. pumps
VXC4 40/100	4
VXC4 50/100	4
VXC4 55/100	4

# SEWAGE LIFTING SYSTEM VXC4 – MC4



## VERTICAL DELIVERY VERSION WITH 2" GUIDE TUBES

For <b>VXC4</b>	Cod. ASSPVXC4V	DN 4"
For <b>MC4</b>	Cod. ASSPMC4V	DN 3"

Kit consisting of:

- footing connection complete with counterflange
- slide guide with screws and seals
- support for the guide tubes

## STANDARD INSTALLATION

1. Pump
2. Footing connection
3. Guide tubes
4. Support for the guide tubes
5. Intermediate support for the guide tubes
6. Lifting chain
7. Control box
8. Stop float switch
9. Starting float switch
10. Starting float switch auxiliary pump
11. Alarm float switch
12. Non-return valve

### SLIDE GUIDE (Also to be ordered separately)

For <b>VXC4</b>	Cod. ASSFL100
For <b>MC4</b>	Cod. ASSFL080

Complete with screws and seals

### ● INTERMEDIATE SUPPORT (To be ordered separately)

Guide tube Ø 2"	Cod. 859SV349INTFA
-----------------	--------------------

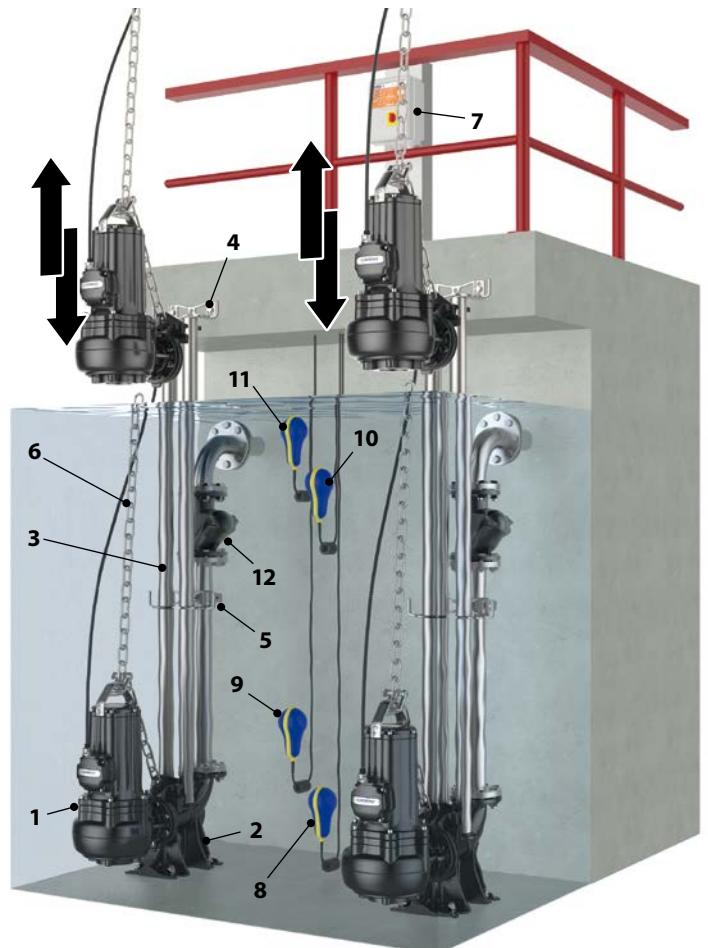


**In order to ensure stability, insert the intermediate support every three metres of guide tube (recommended)**

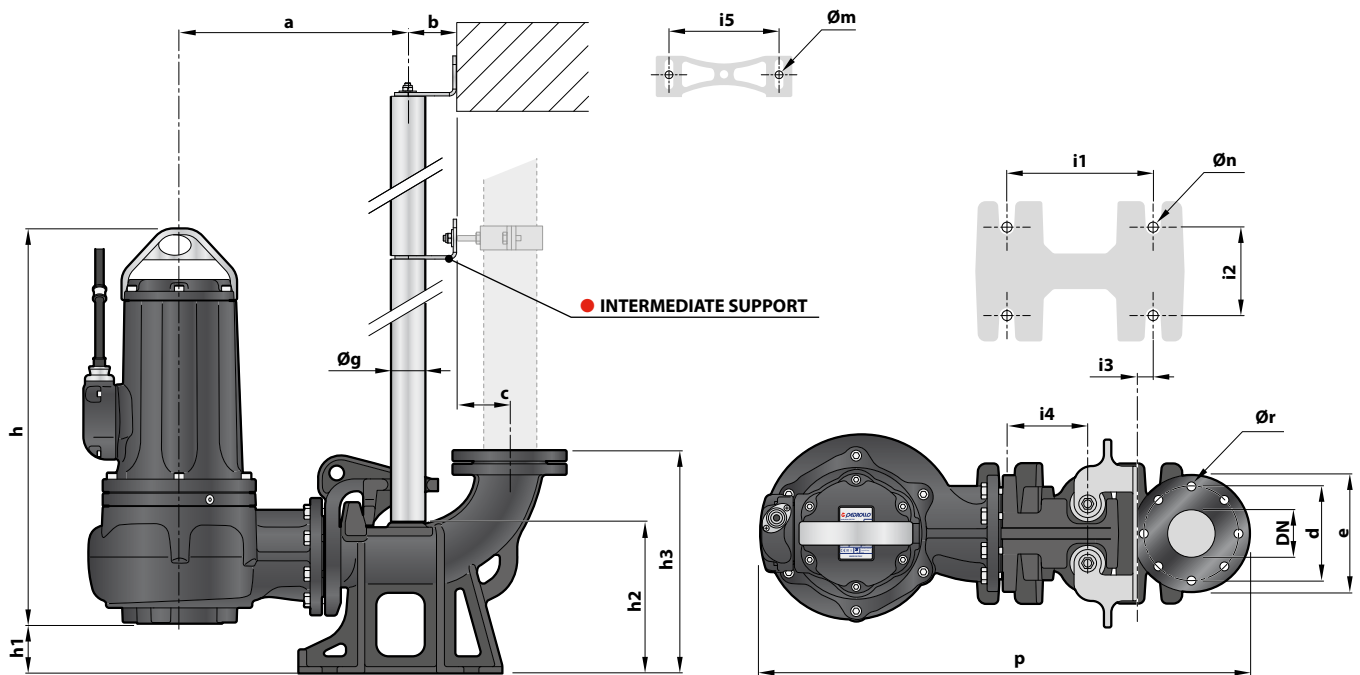
### GUIDE TUBES (AISI 304 stainless steel)

Guide tube Ø 2"	Cod. 54SARTG006
-----------------	-----------------

Maximum length of the tube plank: 6 metres



## DIMENSIONS



MODEL	Passage of solids mm	PORT DN	DIMENSIONS mm																			
			a	b	c	d	e	p	h	h1	h2	h3	i1	i2	i3	i4	i5	Øg	Øm	Øn	Ør	
Three-phase																						
VXC4 40/100	Ø 100	4"	376	85	105	180	220	841	695	107	266	426	250	150	34	130	186	2"	13	16	18	
VXC4 50/100																						
VXC4 55/100																						

MODEL	Passage of solids mm	PORT DN	DIMENSIONS mm																			
			a	b	c	d	e	p	h	h1	h2	h3	i1	i2	i3	i4	i5	Øg	Øm	Øn	Ør	
Three-phase																						
MC4 40/55	Ø 55	3"	396	85	95	160	200	841	680	92	256	592	250	150	34	130	186	2"	13	16	18	
MC4 50/55																						
MC4 55/55																						